

NI ALIGNMENT CONTROLS

**NI Lockwood Type Tower Box Kits**

**NI Wire Alignment Tower Box Kits**

Use with existing Lockwood wire alignment system.

Tower box assembly kits to be used with existing alignment wire on Lockwood units. See illustration.

NI Wire Alignment Tower Box Kits	
NI Part #	Description
220110	NI Intermediate Tower Box Pkg.
220111	NI Next to Last Tower Box Pkg.
220112	NI Last Tower Box Pkg.

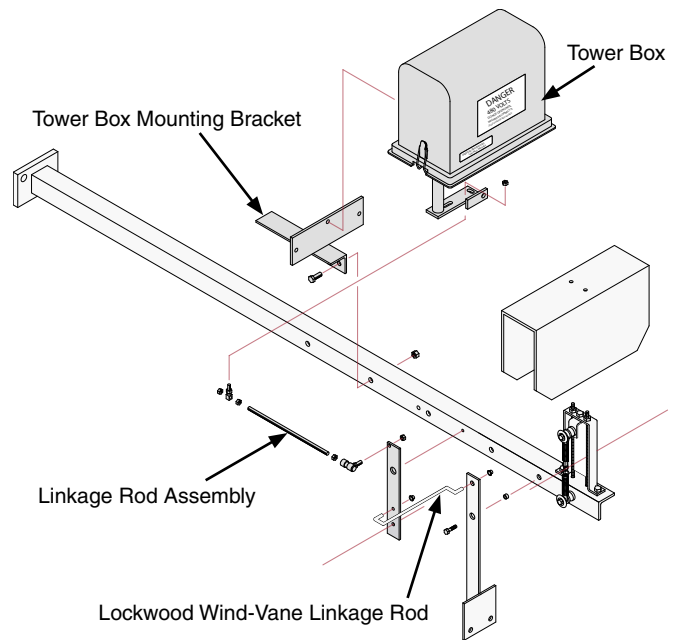
**Notes:**

- Conversion kit includes:  
tower box,  
tower box mounting bracket, and  
the linkage rod assembly.
- All other parts are reused Lockwood components.
- Some holes will have to be drilled.
- The Lockwood wind-vane linkage rod will have to be modified to fit.

**NOTE:** To assure the required mounting hardware is included, please specify model of machine and pipe diameter.

**NOTE:** For span cable and motor drop cable, see page 66 in Section E: Electrical Components.

When replacing the Lockwood wire alignment system, use the NI Premium Tower Control Boxes listed on page 45.



**Lockwood Wire Alignment Conversion Kit utilizing existing alignment wire.**

For parts breakdowns of Lockwood alignment assembly and tower control box, see Section I: Parts Breakdowns, pages 162 to 163.

**Lockwood Alignment Components**

NI Part #	Description
98201	Lockwood Alignment Wire, 1400 ft.
70002	Insulator Fence Post
65128	Thimble, Alignment Wire
92613	Spring Tension, 2.50"
92615	Alignment Spring 26" Long
17005	Bearing, Sintered, 0.190 x .315 x .375
82003	Retaining Clip for Alignment
89300	Rectifier AC/DC



89300



92613



17005



70002



92615

98201