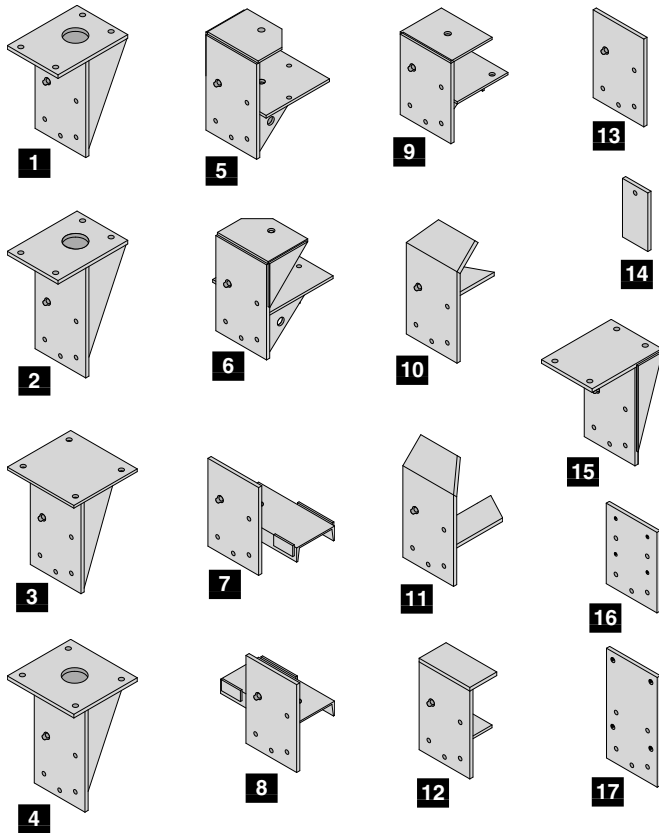


NI MOUNTS

Conversion mounts to be used with complete drive train packages.

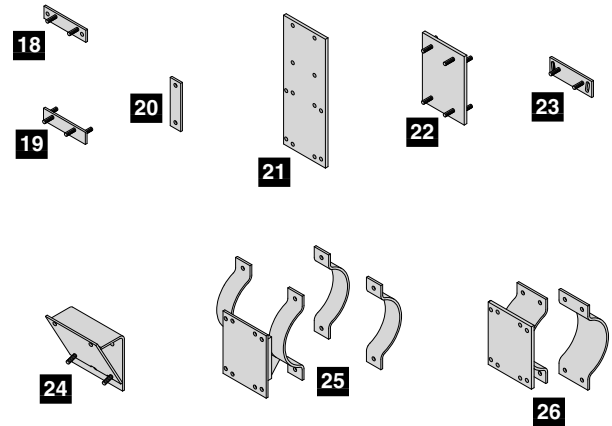
Wheel Gearbox Mounts



Wheel Gearbox Mounts		
Item	NI Part #	Description
1	792201	Mount, Bolt-On, GB, US 621, 622, Std.
2	792201-1	Mount, Bolt-On, GB, US 621, 622, Ext.
3	792202	Mount, Bolt-On, GB, US 632, Std.
4	792202-1	Mount, Bolt-On, GB, US 632, Ext.
5	792203	Mount, Bolt-On, GB, RH, Alumigator
6	792204	Mount, Bolt-On, GB, LH, Alumigator
7	792205	Mount, Bolt-On, GB, Electrogator Channel
8	792206	Mount, Bolt-On, GB, Electrogator Channel
9	792207	Mount, Bolt-On, GB, Minigator
10	792211	Mount, Weld-On, GB, Rd, RH, Higo Deck
11	792212	Mount, Weld-On, GB, Rd, LH, Higo Deck
12	792213	Mount, Weld-On, GB, Higo Sq
13	792214	Mount, Weld-On, GB, Flat Plate 12" (use brace 792222)
14	792222	Mount, Brace for 792214 on rd. drive tube, Olson type tube
15	792235	Mount, Bolt-On, GB, Mel Brown 621
16	88017	Plate, Mtg., GB, Lindsay to Durst
17	88025	Plate, Mtg., GB, Lockwood to Durst

Center Drive Mounts

Center Drive Mounts		
Item	NI Part #	Description
18	11003	Adapter, CD, NI x US Pattern
19	110109	Adapter, CD, NI x Durst/Ohio Pattern
20	33053	Clamp, CD Mount Strap, Gifford Hill, Sq. Deck
21	792110-2	Mount, Bolt-On, CD, Gifford Hill, Square Extended Mount
22	792228	Mount, Adapter, CD, NI, Durst to Ohio
	792227	Mount, Adapter, CD, NI, Ohio to US
	792258	Mount, Adapter, CD, NI, Durst to US
23	792232	Mount, Bolt-On, CD, Adapter, US, Durst to NI, slotted holes
24	792218	Mount, Adapter, NI CD to End Drive Gearbox, Pringle
25	79225P	Mount Pkg., Motor, PowerTrac to Worm
26	792102P	Mount Pkg., Bolt-On, CD, NI Alumigator Electrogator



This is a small sampling of the mounts that are available at NI. Call us with your specific requirements.