

NI ALIGNMENT CONTROLS

NI Premium Tower Control Box Conversion Kits

Complete NI Tower Control Box Conversion Kits			
NI Part Number			Description
Inter-mediate	Stall	Last Tower	
22002	22021	22011	w/ Standard Mounts
22013	22010	22004	w/ Standard Mounts & 1 hp Overload Protection
22049	22048	22050	w/ Standard Mounts & 1.5 hp Overload Protection
22002-LIN	22021-LIN	22011-LIN	w/ Mounts for Lindsay Type Systems
22002-LOC	22021-LOC	22011-LOC	w/ Mounts for Lockwood Type Systems
22002-OLS	22021-OLS	22011-OLS	w/ Mounts for Olson Type Systems

Complete Kits less mounts			
NI Part Number			Description
Inter-mediate	Stall	Last Tower	
22020	22016	22022	w/ 10-Wire Box
22020-11	22016-11	22022-11	w/ 11-Wire Box

Includes wired box, cord connectors, and linkage. (No mounts or overload protection.)

10-Wire or 11-Wire Boxes; Less Mounts

The NI premium tower control conversion can be mounted on Valley type systems utilizing existing mounts. Kits are available with 10-wire or 11-wire boxes.

Includes wired box, cord connectors, linkage, & mounts w/ bolts.

Overload protection included when specified.

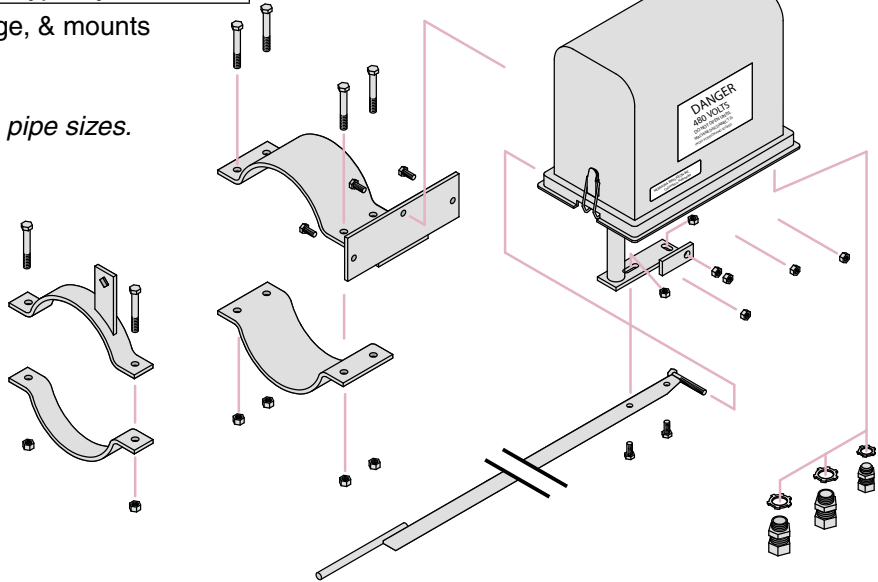
Please specify brand & model of system & pipe sizes.

10-Wire Boxes; Bolt-On Mounts

The NI premium tower control conversion can be mounted on most any system.

The premium controls with overload protection are typically used on Reinke type systems and other machines that do not have thermally protected motors.

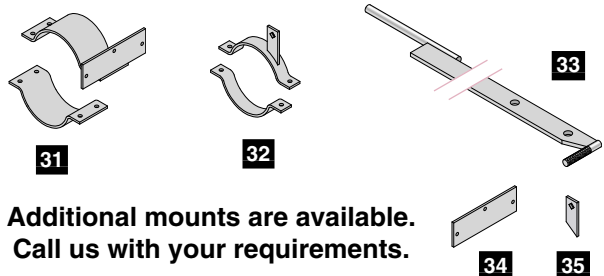
The Lindsay type, Lockwood type, and Olson type conversions listed include the same premium boxes with mounts to fit those specific machines.



NOTE: For span cable and motor drop cable, see page 66 in Section E: Electrical Components.

Item	NI Part #	Description
30	792118	Mount, Tower Box & Actuator Arm, Bolt-On, w/ Bolts, 6", 6-5/8" (Items 31 & 32)
31	79210	Mount, Tower Box, Bolt-On, w/ bolts, 6", 6-5/8"
32	792119	Mount, Arm, Actuator, Bolt-On, w/ bolts, 6", 6-5/8"
33	89902	Rod, Linkage, NIV
34	792150	Mount, NIV Tower Box, Weld-On
35	12063	Arm, Actuator Tab, Weld-On, w/ sq. hole
-	72521	Kit, Stiffener, NIV Tower Box
-	39006	Connector, Cord, w/ Jam Nut, 1/2"
-	39007	Connector, Cord, w/ Jam Nut, 1"

Tower Box Mounts



Additional mounts are available. Call us with your requirements.