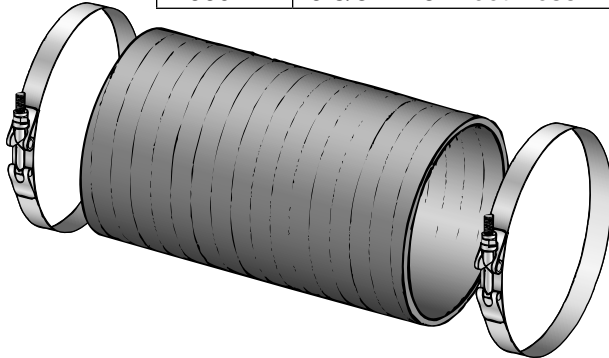


CENTER PIVOT SPAN CONNECTION COMPONENTS

Boot Hose Kits

Each kit includes 4-ply hose and two stainless steel T-bolt clamps.

NI Part #	Description
66012	6-5/8" x 12" Boot Hose Kit
66026	6-5/8" x 14" Boot Hose Kit
66013	6-5/8" x 16" Boot Hose Kit
66014	6-5/8" x 18" Boot Hose Kit



Choose from these pre-packaged kits or build your own using the components below.

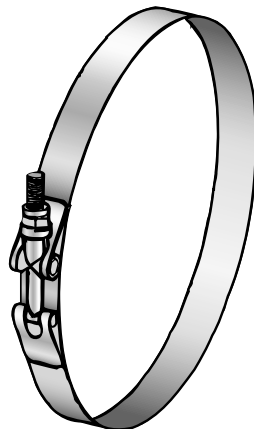
Customized Boot Hose Kits

NI will cut bulk boot hose to length by inch. Simply select the hose below and state the length required.

Also, specify clamps required.

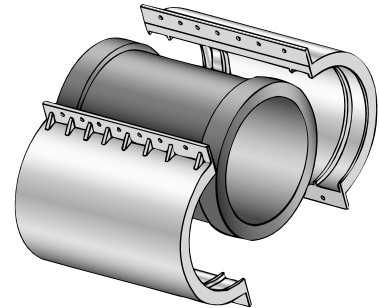
Bulk Boot Hose and Stainless Steel T-Bolt Clamps

NI Part Numbers			Size
Bulk Boot Hose		T-Bolt Clamps	
2-Ply	4-Ply		
66020-2	66020	33029-1	4"
----	66024	33023	4-1/2"
66001-2	66001	33012-1	5"
66002-2	66002	33013	5-9/16"
66016-2	66016	33017-1	6"
66037-2	66037	33011-1	6-5/8"
----	66081	330111	7"
----	66018	33002-1	8"
----	660104	330150	8-5/8"
----	66058	33078	10"

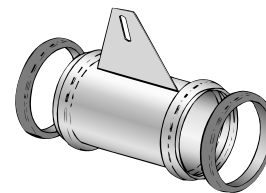


Split Couplers and Gaskets

NI Part #	Description
420194	Coupler, Split, Half, 5-9/16" x 6" long
570135	Gasket, Boot, 5-9/16" x 5-5/8"
420149	Coupler, Split, Half, 6-5/8" x 10-1/2"
570134	Gasket, Boot, 6-5/8" x 10-1/8"
42000	Coupler, Split, Half, 6-5/8" x 7-1/2"
57034	Gasket, Boot, 6-5/8" x 7-1/8"
420193	Coupler, Split, Half, 8" x 8-3/4"
570136	Gasket, Boot, 8" x 8-3/8"



Gaskets for Can Couplers



Gaskets for Can Couplers	
NI Part #	Size
57082	5"
57084	6"
570150	6-5/8"
57046	8"

NOTE: In many instances can couplers are replaced with boot hose.

Ball Couplers and Springs

NI Part #	Description
570160	Olson Ball Coupler, 7"
92605	Olson Spring, 7"
570132	Olson Ball Coupler, 5"
92687	Olson Spring, 5"

Swing Span Connection Hose

NI Part #	Description
66024-120	4-1/2" x 120", Hose only, swing span
66001-139	5" x 139", Hose only, swing span