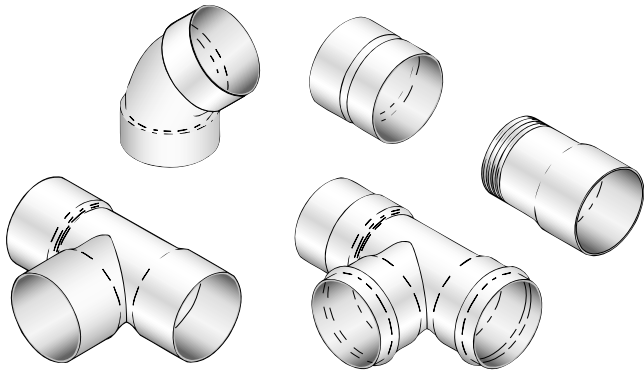


PIPE AND PIPE FITTINGS

**PVC Pipe Fittings**



- For underground and surface applications.
- PIP & IPS solvent weld types.
- PIP gasket type.

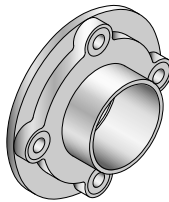
Nebraska Irrigation can supply various sizes and styles of PVC fittings along with PVC pipe, repair couplings, gaskets, welding solvent, and cement.

**Please call our sales office for more information.**

**Van Stone Style Plastic Flanges**

IPS – Loose Ring

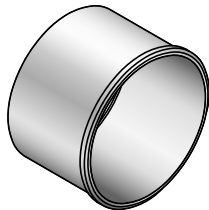
NI Part #	Description
54064	4" IPS
54000	6" IPS
54063	8" IPS
54051	10" IPS
54068	12" IPS



**Bushings**

To Convert IPS to PIP

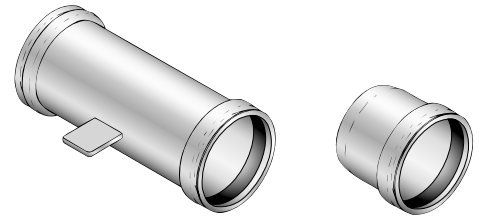
NI Part #	Description
24096	4" IPS x 4" PIP
24097	6" IPS x 6" PIP
24098	8" IPS x 8" PIP
240105	10" IPS x 10" PIP
240106	12" IPS x 12" PIP



**PVC Pipe**

- Underground PIP 4" to 27" dia., 50 to 200 psi.
- Underground IPS 2" to 12" dia., 100 to 200 psi.
- Surface, gated, mainline, 6" to 27" dia.
- Well casing.

**Underground Fittings**



- Couplers
- Tees
- Elbows
- Repair couplers
- And more . . .

PIP and IPS sizes are available.

**Please call our sales office for more information.**

**Polyethylene Plastic Pipe**

- 1/2" to 2" diameters.
- Pressure range: 80 to 125 psi.
- 100 to 400 ft roll lengths.

**Aluminum Pipe**

- Irrigation and industrial applications.
- Plain end.
- Sprinkler.
- Torque tube.
- Sizes from 2" to 12" dia. with wall thicknesses from .051" through .094" are available.
- Mainline.
- And more . . .

**Various diameters, wall sizes, and pressure ratings are available.**

**Please call our sales office for more information.**

