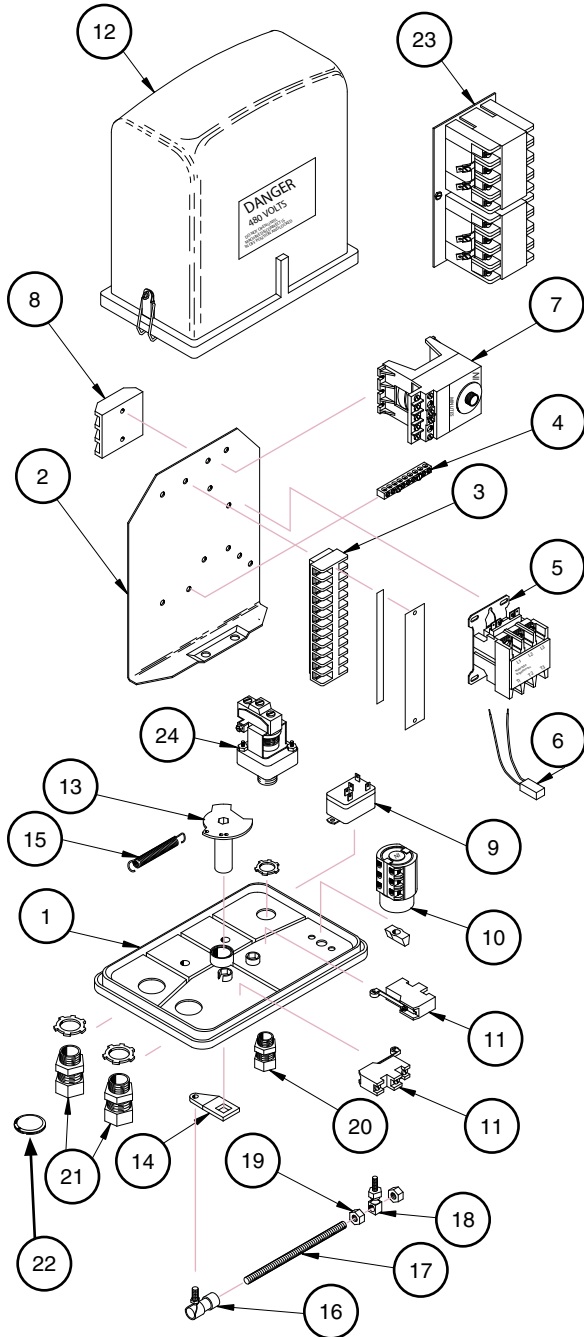


TOWER CONTROL BOX PARTS

**Replacement Parts for NIL Type Control Boxes  
— 22056, 22057, 22058, 22061, 22054**



**NI controls & parts can be used as direct replacements for Lindsay / Zimmatic style boxes.**

Item	NI Part#	Inter. 22056 Qty	Stall 22057 Qty	Last 22058 Qty	BP* 22061 Qty	Description
1	16001	1	1	1	1	Base
2	88007	1	1	1	1	Plate, Vertical Mount
3	938301	1	1	1	1	Terminal Strip, 11-Pole (alternate 93801 or 93803, 12-pole)
	91043	2	2	2	2	Screw, 8-32 x 3/4, Self-Tapping
4	77005	1	1	1	1	Lug, Ground Strip
	91043	2	2	2	2	Screw, 8-32 x 3/4, Self-Tapping
5	40051	1	1	1	--	Contactora, 3-Pole
	91042	2	2	2	--	Screw, 8-32 x 3/8, Self-Tapping
6	93402	1	1	1	--	Suppressor, Arc
7	94403	--	1	--	--	Timer, Stall, 5 Min. OFF
	91053	--	2	--	--	Screw, 8-32 x 1/2, Self-Tapping
8	56002	1	1	1	--	Fuseholder, 3-Pole, 30A (used on older models only)
9	89630	--	--	1	1	Relay, Last Tower
	91042	--	--	2	2	Screw, 8-32 x 3/8, Self-Tapping
10	93601	1	1	1	1	Switch, Disconnect, 6-Pole
11	936117	2	2	2	--	Switch
	91050	4	4	--	--	Screw, 6-32 x 1", Self-Tapping
12	90612	1	1	1	1	Shield, Tower Box w/ Latches
	73002	2	2	2	2	Latch only
13	26005	1	1	--	--	Cam, Control
14	12001	1	1	--	--	Arm, Cam, Control
15	92601	1	1	--	--	Spring
16	71002	1	1	--	--	Joint, Ball, Quick Disconnect
17	89906	1	1	--	--	Rod, Linkage, 6" (short)
-	89900	1	1	--	--	Optional Control Rod, 16" Long
18	71001	1	1	--	--	Joint, Swivel, Adjuster
-	71001-L	1	1	--	--	Joint, Swivel, Long Stud
19	82010	2	2	--	--	Nut, Hex, 5/16 - 24 UNF
20	39006	1	1	1	1	Connector, Cord, 1/2" w/ Jam Nut
21	39052	2	2	1	1	Connector, Cord, 3/4" (.7 - .8 dia.)
22	89021	--	--	1	--	Plug, Dome
23	40009	--	--	--	1	Contactora, Reversing, 4 Pole
	91042	--	--	--	2	Screw, 8-32 x 3/8, Self-Tapping
24	93643	--	--	--	1	Switch, Pressure **

\* Booster Pump Control Boxes: 22061 w/ pressure switch; 22054 w/o pressure switch.

\*\* Item 24 is used in 22061 and not in 22054.