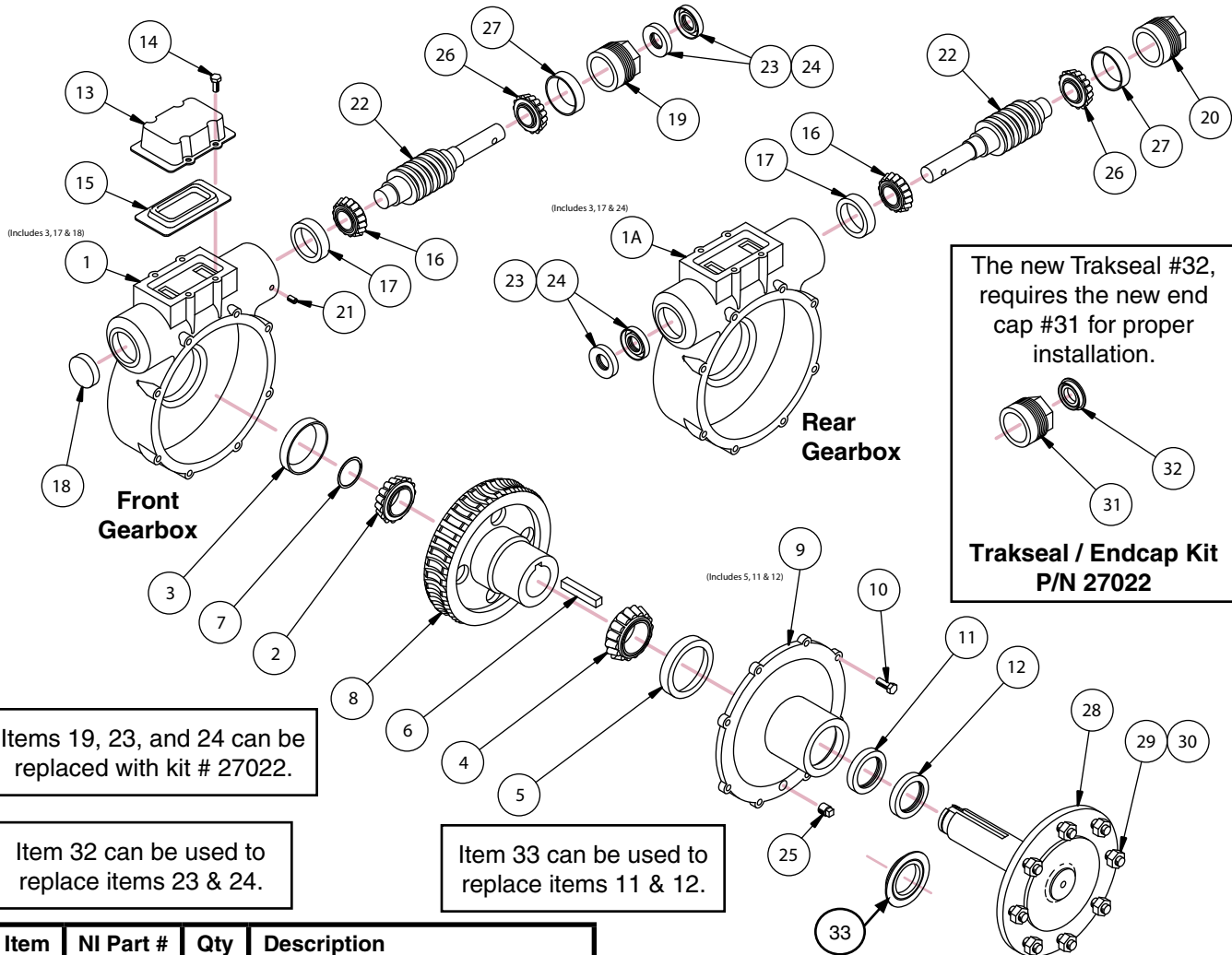


WHEEL GEARBOX PARTS

NI Replacement Gearbox Parts for: **Valley Type**



Items 19, 23, and 24 can be replaced with kit # 27022.

Item 32 can be used to replace items 23 & 24.

Item 33 can be used to replace items 11 & 12.

Item	NI Part #	Qty	Description
1	67035	1	Housing, Front Assembly (Includes Items 3, 17, & 18)
1A	67036	1	Housing, Rear Assembly (Includes Items 3, 17, & 24)
2	37011	1	Cone, Bearing, Inner Output
3	44014	1	Cup, Bearing, Inner Output
4	37033	1	Cone, Bearing, Outer Output
5	44028	1	Cup, Bearing, Outer Output
6	72004	1	Key
7	89879	1	Snap Ring, Inner Output
8	60023	1	Gear, Worm
9	68011	1	Hub (Includes Items 5, 11, & 12)
10	91028	8	Screw, Cap 3/8" x 1-1/4"
11	91157	1	Seal, Inner Output
12	91160	1	Seal, Outer Output
13	32004	1	Chamber, Expansion
14	91029	4	Screw, Cap, 5/16" x 1"
15	46005	1	Diaphragm, Expansion Chamber
16	37019	1	Cone, Bearing, Input
17	44010	1	Cup, Bearing, Input
18	27041	1	Cap, Input, Press-in

Item	NI Part #	Qty	Description
19	27022	1	Cap, Input, Open End
20	27023	1	Cap, Input, Closed End
21	91030	1	Screw, Set, 5/16" x 1/2"
22	90236	1	Shaft, Worm, Input
23	91108	1	Seal, Outer, Input
24	91108	2	Seal, Inner, Input
25	89007	1	Plug, 1/2" NPT
26	37021	1	Cone, Bearing, Input
27	44022	1	Cup, Bearing, Input
28	90281	1	Shaft, Output
29	20039	8	Bolt, Stud, Non-Towable, 9/16"
-	20006	8	Bolt, Stud, Towable, 5/8" Press-In
30	77008	8	Nut, Lug, Non-Towable, 9/16"
-	77009	8	Nut, Lug, Towable, 5/8"
31	----	1	Cap, Input, Open End
32	911130	1	Seal, Input, Trakseal
33	911133	1	Seal, Output, Trakseal
	27022		Kit, Trakseal and End Cap (Items 31 & 32)