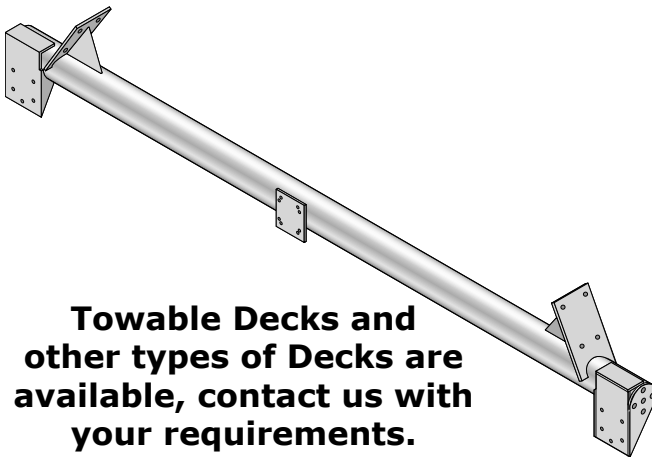


GENERAL STRUCTURAL ITEMS

Base Decks

NI Part #	Description
93315	Base Deck N/T Pierce Type
93315-RC	Base Deck N/T Raincat Type
93323	Base Deck N/T Reinke Type
93312	Base Deck N/T Olson Type
93334	Base Deck N/T Valley Type
93305	Base Deck N/T Gifford Hill Type
93351	Base Deck N/T Zimmatic Type
93384	Base Deck N/T Lockwood Type

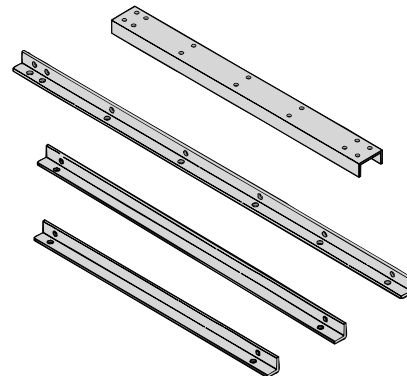
When ordering Base Decks, you must specify model number and year. Other dimensions may be needed.



Towable Decks and other types of Decks are available, contact us with your requirements.

Tower Legs

NI Part #	Description
74016	Lockwood Style, RH, Tower Leg
74017	Lockwood Style, LH, Tower Leg
74018	Valley Style, RH, Tower Leg
74019	Valley Style, LH, Tower Leg
74020	Lindsay Style, RH, Tower Leg
74021	Lindsay Style, LH, Tower Leg
74001	Reinke Style Tower Leg



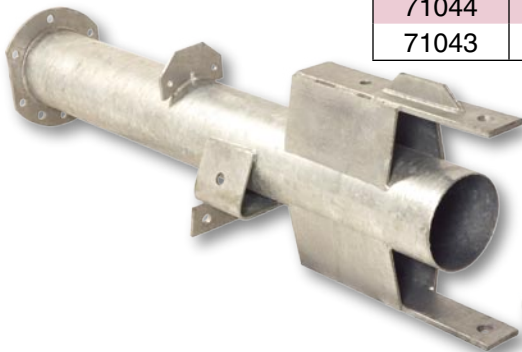
Other Tower Legs are available, contact us with your requirements.

B

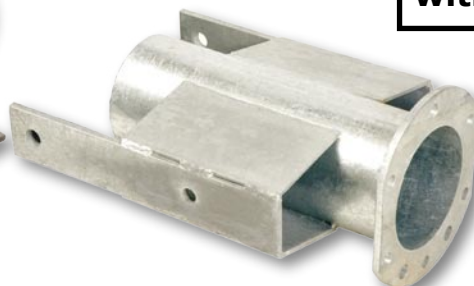
Tower Joints

NI Part #	Description
71009	Joint, Long, Lindsay Style, 6-5/8", 307
71010	Joint, Short, Lindsay Style, 6-5/8", 307
898161	Ring, Octagon, 6-5/8", 307, 410
71057	Joint, Pivot Point, Receiver, 6-5/8", Reinke Style
71044	Joint, Pivot Point, Hook, 6-5/8", Reinke Style
71043	Joint, Tower, Hook, 6-5/8", Reinke Style

*Lindsay Style Tower Joint, Long
71009*



Other Tower Joints are available, contact us with your requirements.



*Lindsay Style Tower Joint, Short
71010*