

GENERATORS, PHASE CONVERTERS

Lima Generators

Lima Mac 1800 RPM – 2 Bearing		
NI Part #	Size	Model
63001	5 KW	250MDL1237
63010	7.5 KW	250MDL1238
63002	10 KW	280MDL0054
63003	12 KW	280MDL0055
63004	15 KW	280MDL0056
63005	20 KW	360MDL0057
63006	25 KW	360MDL0058
63030	30 KW	360MDL0059
63040	40 KW	360MDL0060
63050	50 KW	440MDL0885

A wide selection of pulleys and hubs are available for generators.

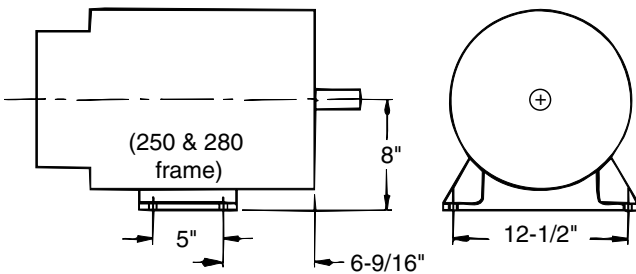
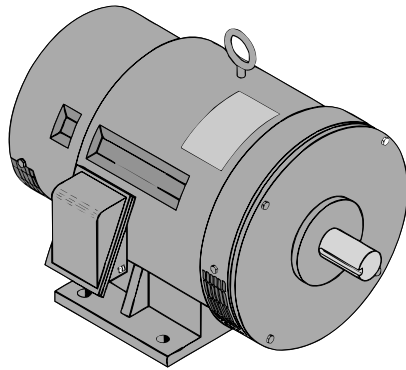
Call our sales office for assistance in choosing the pulley and hub to match your needs.

Stamford Generators

NI Part #	Size
63014	8.5 KW
63007	10 KW
63008	12.5 KW
63009	17.5 KW
63011	20 KW

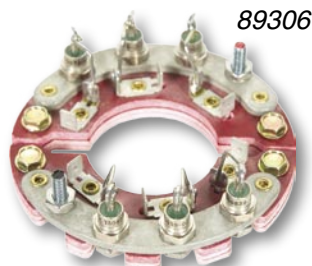
Other sizes of Stamford Generators are available. Please call NI Sales Office.

- Rugged construction.
- 1 hp/KW, 3 phase, Code G motor-starting capabilities.
- 5 to 300 KW.
- 4% voltage regulation.
- Minimum maintenance.
- Self-regulated.
- Double bearing.
- Single bearing units available for close-coupling to engines.



Rectifier Kits
For Lima Generators

Part #	Description
89306	Rectifier Kit for 280 frames, new style
89307	Rectifier Kit for 280 frames, old style



ARCO Phase Converters



NI Part #	KVA	Model	Max. Start Capacity (HP)	Total System (HP)
63017	4	PVO	3	6
63018	8	PV1	4	8
63019	10	PV2	6	12
63020	14	PV3	8	16
63021	18	PV4	12	25
63022	22	PV5	15	22
63023	28	PV6	20	28
63027	40	PV7	25	40

Larger sizes & options available.
Transformers also available.